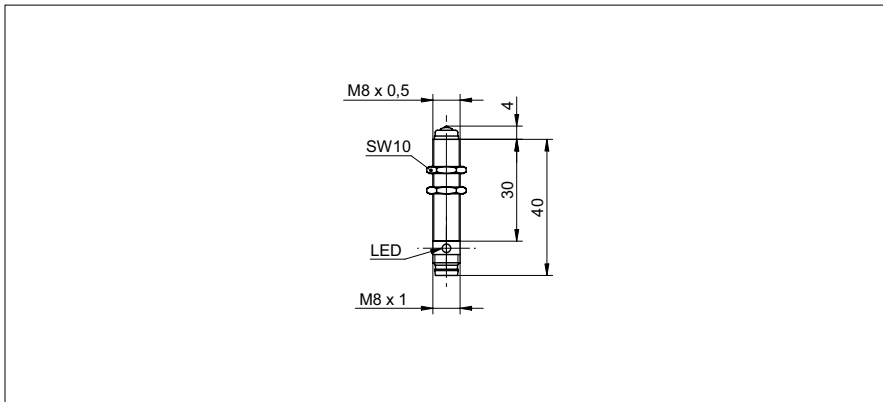


**My-Com precision switches**

**MY-COM L75P/S35L**

**dimension drawing**



**general data**

repeat accuracy	< 0,001 mm
activating force	75 cN
mech. pre-run / overrun	- / 0,6 mm approx.
measurement type	contact with medium
direction of approach	frontal
output indicator	LED red

**electrical data**

voltage supply range +Vs	5 ... 36 VDC
load current max. at 24 VDC	50 mA
load resistance min.	480 Ohm
output circuit	PNP make function (NO)

**mechanical data**

activating pin	ruby
housing material	brass nickel plated
dimension	8 mm
type	cylindrical threaded
housing length	40 mm
connection types	connector M8

**ambient conditions**

operating temperature	-20 ... +75 °C
protection class	IP 67

**photo**



**connection diagram**

